

Montana™ – Add a touch of fire to the night sky

MONTANA...ADDING FUNCTIONALITY & FLEXIBILITY TO OUTDOOR LIVING ROOMS

Montana is the world's first outdoor manufactured wood burning fireplace that combines the elegance and durability of stainless steel with the beauty of a full refractory lining. Designed for outdoor use, the Montana's clean face radiant design allows you to bring finishing materials to the firebox opening for the appearance of a masonry fireplace at a fraction of the cost, or expose the stainless steel face (see picture at right).

Aesthetically, the Montana has a generous 42" firebox opening and is constructed with patented drain channels to minimize effects of the weather. For added convenience, the Montana easily converts to a gas fireplace with installation of our optional outdoor gas logs.

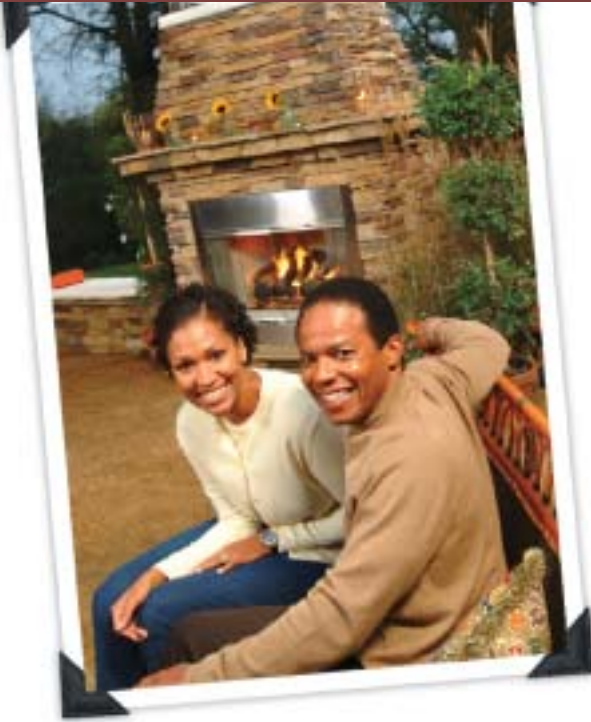
Enjoy the warmth, comfort and beauty of a Montana fireplace on your deck, patio or even built into a complete outdoor living area.

- Stainless steel construction protects it from outdoor elements
- Designed to fit into the LifeStyle Collection *Fireplace Surround Builder Sets*
- 42" firebox opening
- Realistic brick refractory
- Standard stainless steel grate and mesh firescreen
- Gas access on both sides
- 15 year limited warranty
- Patented Technology
- UL Listed
- 52,000 BTUs/hr with LP Gas (if converted to gas unit w/optional gas logs)
- 61,000 BTUs/hr with Natural Gas (if converted to gas unit w/optional gas logs)
- Formerly the STS-42/OUT-42



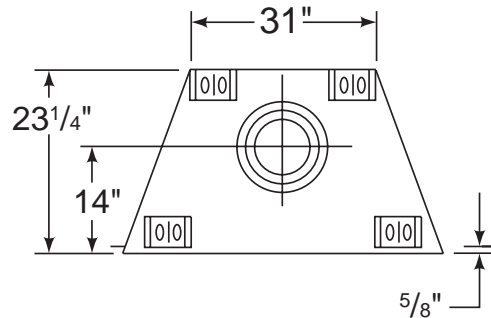
MONTANA STAINLESS STEEL FIREPLACE SHOWN WITH OPTIONAL CUSTOM-FINISHED FPSA FIREPLACE SURROUND BUILDER SET

Montana™ – Specification Information

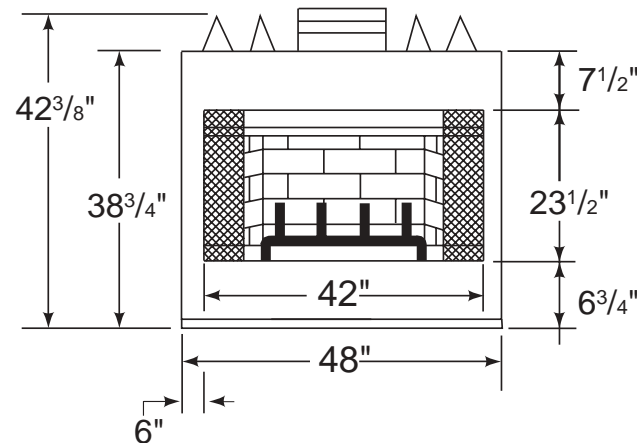


MODEL	HEIGHT	WIDTH	DEPTH
Montana Fireplace-See dimensions below	-	-	-
OPTIONS: (SOLD SEPARATELY)			
Fireplace Surround Builder Set-Angled (FPSA)	84"	60"	46"
Fireplace Surround Builder Set-Rectangular (FPSR)	84"	60"	46"
- Bifold glass doors	-	-	-
- Stainless steel weather shield	-	-	-
- UL Listed outdoor gas logs	-	-	-
FRAMING DIMENSIONS			
Using combustible material (with clearances)	42-3/4"	49"	24-3/4"
Using non-combustible material (no clearances)	39"	48-1/4"	23-1/4"

TOP



FRONT



LEFT SIDE

